

Marine diesel generators and diesel electric propulsion





Simply Marine **Power**



■ For almost a century Moteurs Baudouin is the specialist in the marine mechanical and electrical power generation. As propulsion engines derivatives, our marine generators guarantee their proven reliability, availability and performance in the most severe conditions related to your business.

Our extended range from 45 to 772 kW – 50 and 60 Hz dedicated to diesel electric propulsion, auxiliary and stand-by marine generator sets applications, builds your One Stop Shop solution with Moteurs Baudouin. Guided by our constant seek for customer operational performance, our efforts lead to a high marine generator range standardization level also implemented in our engines components interchangeability program.

Your benefits

- The marine expert partner choice
- Prime movers standardization simplifying your logistic and operational management
- Performance and durability acquired with our experience in the most severe marine utilization
- Environment friendly with simple, economical and maintenance effective solutions
- Our Worldwide authorized Network expertise in advice and service



Definitions & standards

Certifications

IMO Tier 2 MARPOL 73/78 - CCNR Tier 2
- CE 97/68 Phase IIIA certified

Our marine diesel generators are complying with the main certification societies (ABS, BV, CCS, DNV, GL, LRS, RINA, RMRS...)

Power definition

Standard ISO 3046/1 - 1995 (F)

Reference conditions

Ambient	25 °C / 77 °F
Barometric pressure	100 kPa
Relative humidity	30 %
Sea water temperature	25 °C / 77 °F

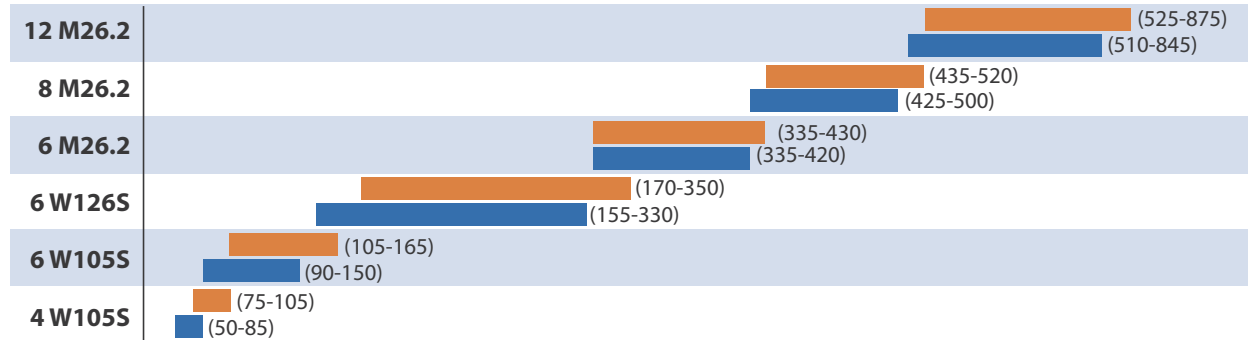
Fuel oil

Relative density	0,840 ± 0,005
Lower calorific power	42 700 kJ/kg
Consumption tolerances	0 + 8 %
Air inlet limit temperature	35 °C / 95 °F

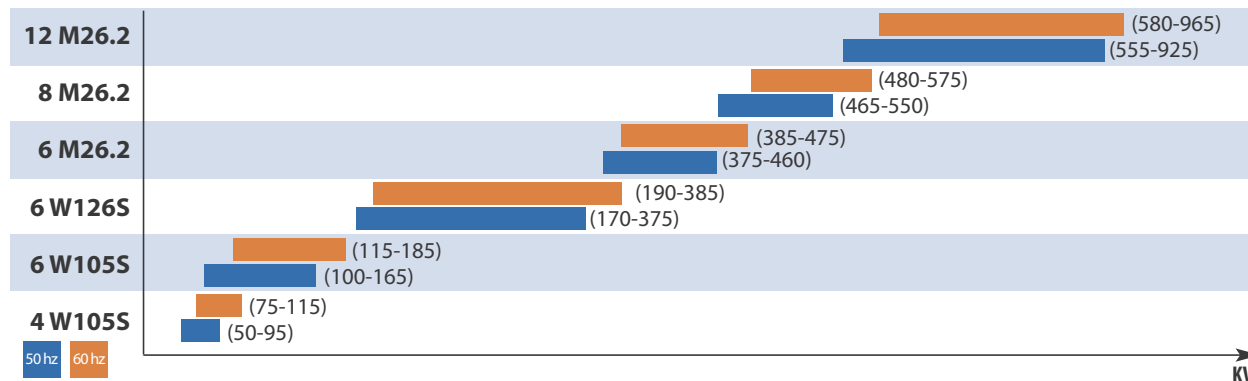
Electrical Power

Power in KVA declared at pf 0.8

Auxiliary gensets range

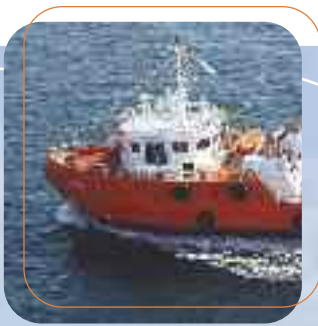


Emergency gensets range



Class of duty

	COP	PRP	LTP
Application	unrestricted continuous	prime power (continuous)	limited (stand-by)
Load variations (250 hours average)	unrestricted	≤ 75% of rated power	≤ 85% of rated power
Operating time at rated power	unrestricted	≤ 500 hours / year	≤ 25 hours / year
Running time	unrestricted	unrestricted	500 hours / year
Overload	10%: 1 hour / 12 hours	10%: 1 hour / 12 hours	no overload



12 M26.2



The **power** when needed

Our Standard Generator Overall features

- Frequency 50 and 60 Hz / 4 poles
- Electronic speed control unit
- Insulated neutral
- Insulation – Heating class H/H
- Brushless, excitation AREP
- IP 23 protection
- Voltage regulation +/- 0,5% steady state
- Flanged type generator resilient mounted on common baseframe
- Baseframe mounted control panel
- Marine winding impregnation for relative humidity ambient conditions 95% max
- Space heater



6 W105S

Options

A wide range of engines and alternators options completes our offer to provide the power matching your installation configuration and specific running conditions.

Some examples

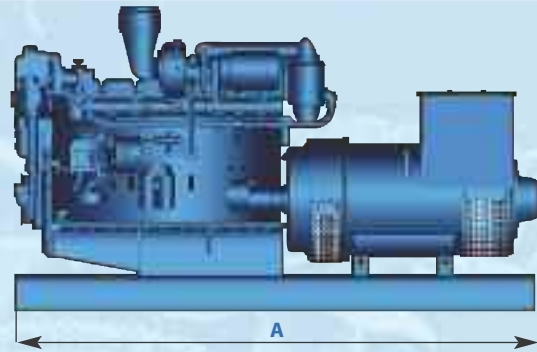
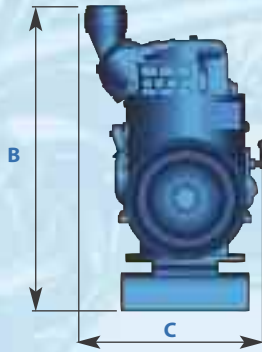
- Engine front end PTO
- Wet exhaust by water injection
- Keel or box cooling engine configuration
- Choice of various insulation/heating classes
- U.M.S. equipments according to Classification Societies requirement

Nominal power

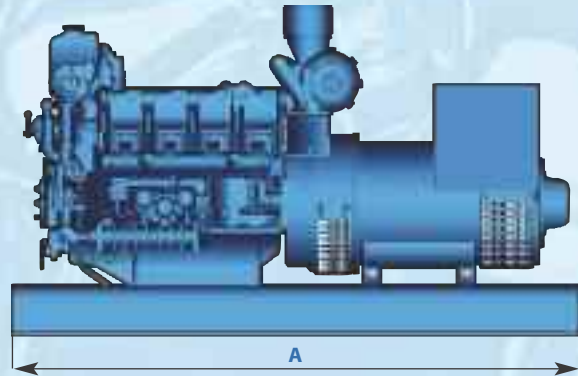
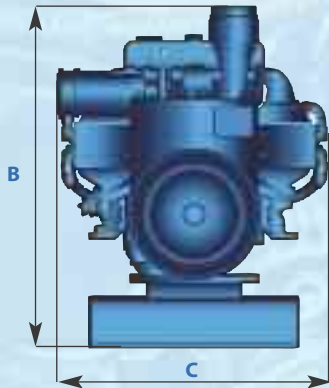
		COP		PRP		LTP	
		kWe	KVA	kWe	KVA	kWe	KVA
4 W105S	50 Hz	68	85	68	85	76	95
	60 Hz	84	105	84	105	92	115
6 W105S	50 Hz	120	150	120	150	132	165
	60 Hz	132	165	132	165	148	185
6 W126S	50 Hz	264	330	264	330	300	375
	60 Hz	280	350	280	350	308	385
6 M26.2	50 Hz	300	375	336	420	368	460
	60 Hz	342	428	344	430	380	475
8 M26.2	50 Hz	359	449	400	500	440	550
	60 Hz	410	513	416	520	460	575
12 M26.2	50 Hz	600	750	676	845	740	925
	60 Hz	684	856	700	875	772	965

Please contact us for more details on Moteurs Baudouin optional equipments.

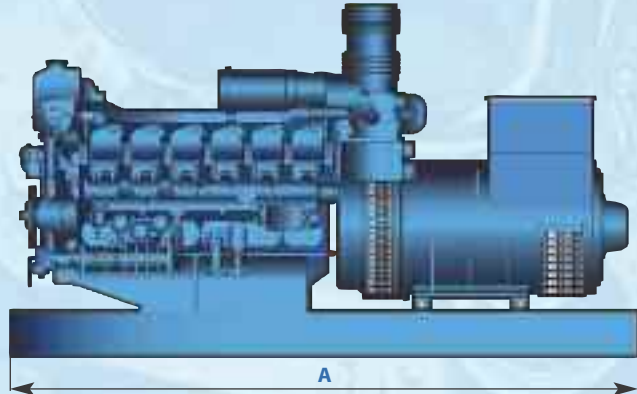
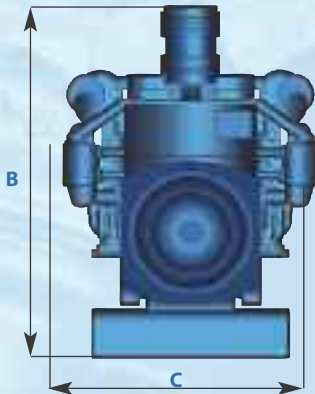
6 M26.2



8 M26.2



12 M26.2



Prime mover

- 4 strokes marine diesel engines, direct injection, turbocharged, with charge air intercooling

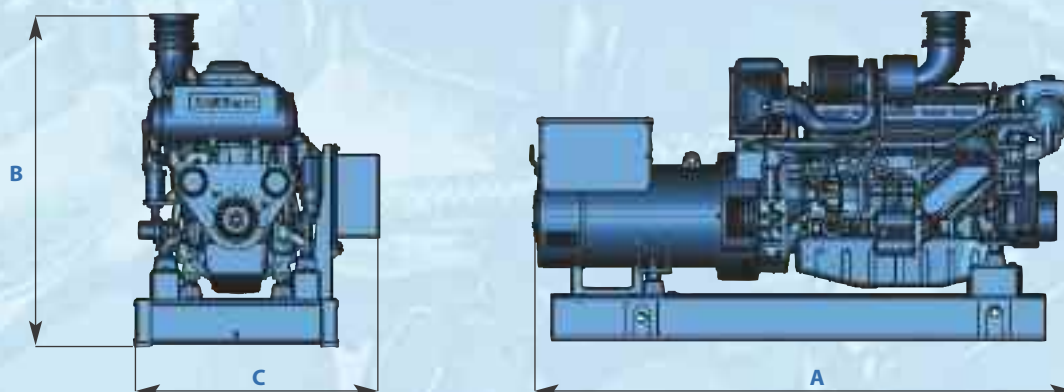
	6 W105S	6 W126S	6 M26.2	8 M26.2	12 M26.2
Number of cylinders	6 in line		6 in line, 8 and 12 in Vee		
Bore and stroke	105 x 130 mm	126 x 155 mm	150 x 150 mm		
Total displacement	6,75 l	11,56 l	15,9 l	21,2 l	31,8 l
Engine rotation	CCW*		CCW* (ISO 1204 standard)		
Idle speed	600 rpm		600 rpm		
Flywheel housing	SAE 3	SAE 1	SAE1	SAE 0	
Flywheel	SAE 11,5"	SAE 14"	SAE 14"		SAE 18

*CCW: counter-clockwise.

W105S series



6W126S



Main dimensions and weights

	KVA	A (mm)	B (mm)	C (mm)	Dry weight (kg)
4 W105S	85	1506	1252	1016	1010
6 W105S	100	2007	1256	1016	1152
	150	2187	1256	1016	1317
6 W126S	195	2315	1445	840	1774
	270	2425	1445	840	1924
	300	2517	1445	840	2044
	330	2363	1445	840	2145
6 M26.2	420	2885	1110	1783	3290
8 M26.2	500	2726	1416	1705	4050
12 M26.2	845	3490	1440	2015	5450



Moteurs Baudouin

service values

Wherever you are sailing in the world, Moteurs Baudouin is at your side. Our international marine experts is supporting you **over the 5 continents (95 countries)**. Their mission, to guaranty your equipment optimized performances through its life cycle. More than simple service, Moteurs Baudouin provides a wide range of customized support solutions that fits to your personal needs.

Our standard

- Commissioning and technical support
- Standard warranty on equipments and accessories
- Spare parts availability at your door
- Documentation and information bulletin
- From standard to general overhaul
- Engines components reconditioning

Our tailor made options

- Factory performance tests
- Warranty extension
- Diagnostic and preventive recommendations report
- Medium to long term service agreement
- Multi level training program
- Engines reconditioning

Please contact our Moteurs Baudouin local service network for further information about our service values.



Our Overseas sales and service subsidiaries

Africa

Diesel Marin Maroc

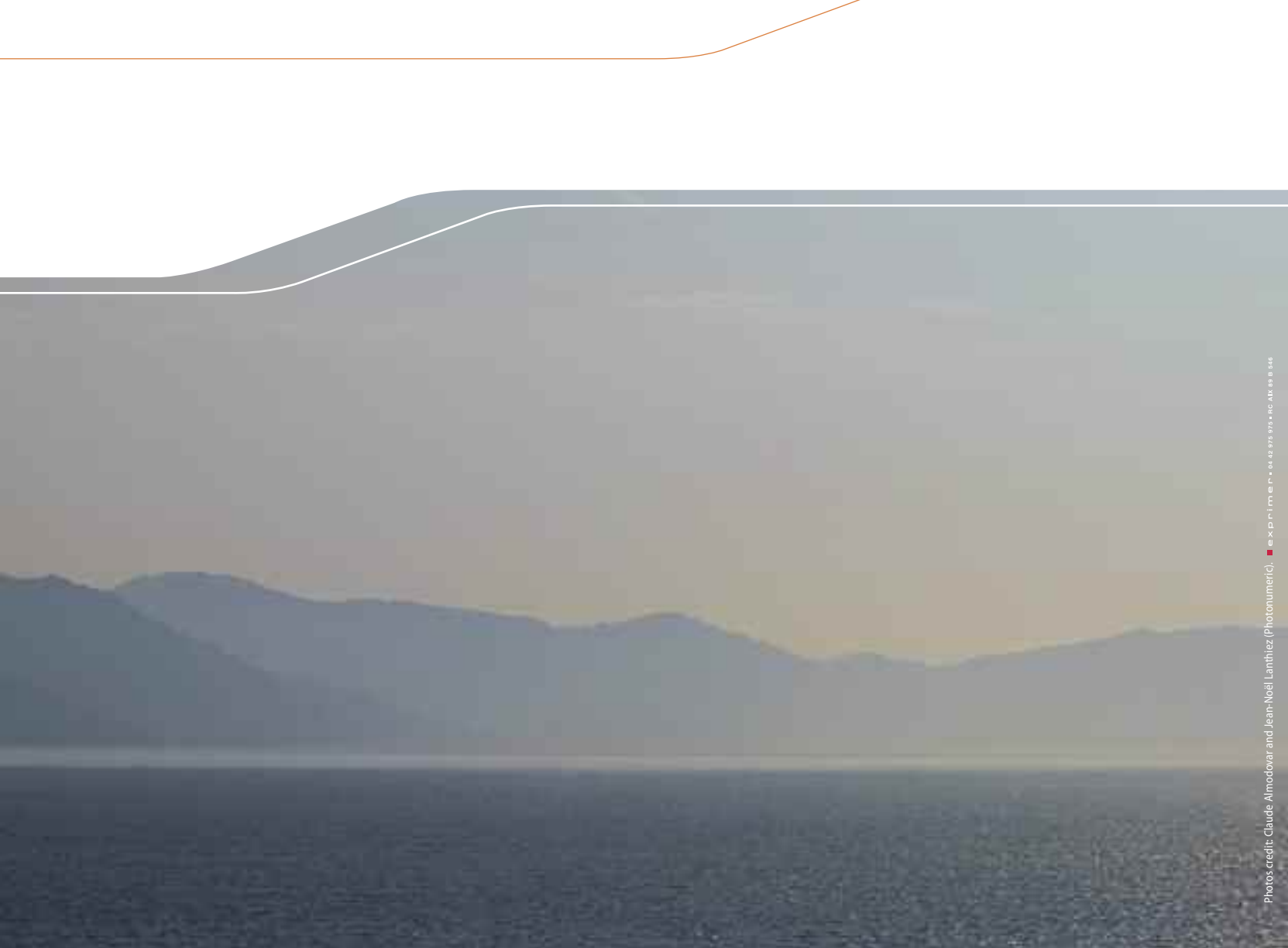
Port de Pêche - BP 1722
80000 Agadir
Morocco
tel. +212 528 820 189
fax +212 528 828 563
e-mail : dmm-moteursbaudouin@menara.ma

South East Asia

Weichai - Baudouin (S) Pte Ltd

15, Tuas view close
Singapore 637485
Singapore
tel. +65 6686 0980
fax +65 6686 0982
e-mail : sea-pacific@weichai-baudouin.com.sg





Photos credit: Claude Almodovar and Jean-Noël Lanthiez (Photomerica) - EXPRI m e n ° 04 42 872 872 - RC AK 88 8 548

Société Internationale des Moteurs Baudouin

Technoparc du Brégadan - 13260 Cassis - France

tel. + 33 488 688 500 - fax + 33 488 688 501

www.moteurs-baudouin.com

Moteurs Baudouin® is a registered trademark.

