

Alpha

20 • 30 • 40 • 45 • 55 Turbo

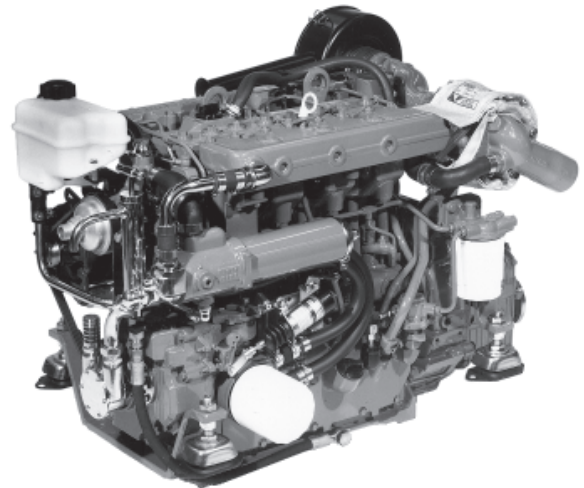


LISTER PETTER

WATER-COOLED MARINE PROPULSION DIESEL ENGINES FOR PLEASURE BOATS

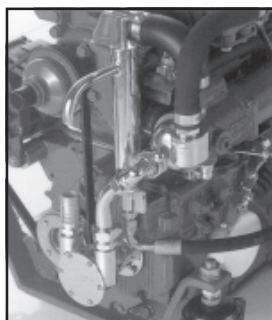
A series of two, three, four and turbocharged four cylinder diesel engines of cast iron construction with fresh water heat exchange cooling.

Designed and built by Lister Petter to their traditional standards for long life, economy and reliability.



Standard Features

- Hurth reversing gearbox with 2:1 reduction (nominal).
- 12 volt starter motor (insulated earth return), 55 amp alternator.
- Heat exchanger, water cooled exhaust manifold, raw and fresh water pumps, calorifier connections.
- Fuel filter with water trap, self bleed fuel system, fuel lift pump, individual fuel injection pump for each cylinder.
- Vibration isolating engine mounts.
- High level oil filler and dipstick, sump drain pump.
- Instrument panel with hour recorder, key switch and audible warnings.
- Raw water cooling system pump.
- Sump lubricating oil drain pump.
- Operators Handbook.
- 2 year warranty.



Optional Accessories

A range of options to enable your Alpha propulsion engine to be built to your exact needs are available including:

- Alternative gearboxes.
- Instrument panels.
- Controls.
- Fuel and exhaust systems.
- Engine mounts.
- Protection systems.

Please consult Lister Petter or your local Lister Petter Marine Engine Centre for full details.

Lister Petter Marine Engine Centres

With an extensive network of distributors and dealers worldwide, Marine Engine Centres offer a comprehensive sales, installation, parts and service back-up for your Alpha marine engine.

Owner Training Courses

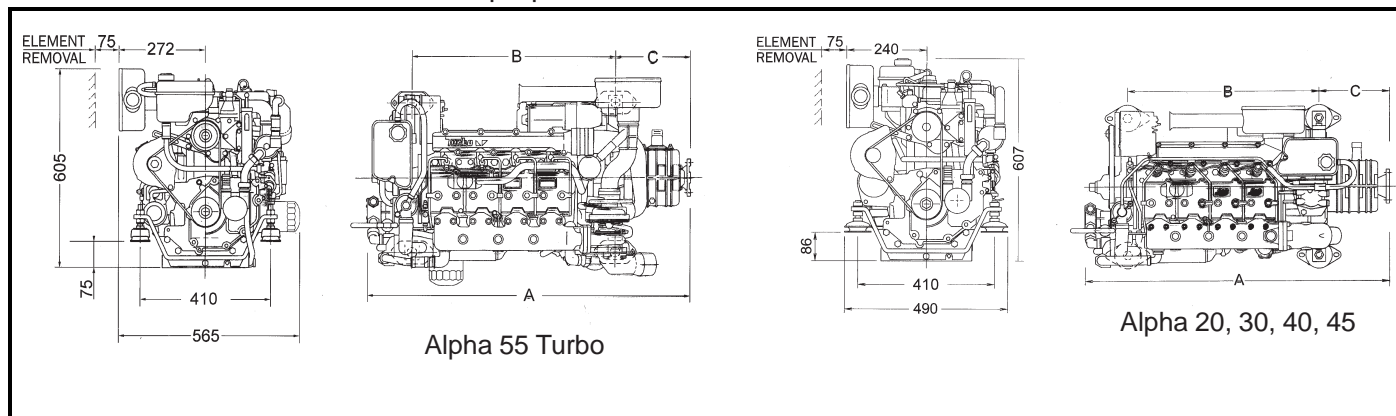
Owners of a Lister Petter Marine engine who really want to get to know their engine can attend a short familiarisation course free of charge at headquarters in England. Courses for owners outside of the UK can be arranged locally through their Distributor..

Technical Data

		Alpha				
		20	30	40	45	55 Turbo
Cylinders		2	3	4	4	4
Bore x Stroke	mm	86 x 80	86 x 80	86 x 80	86 x 80	86 x 80
Cubic capacity	cm ³	930	1395	1860	1860	1860
Max. power at flywheel at 3000r/min	bhp	20	30	40	45	55
Max. torque at flywheel	Nm	53	80	106	112	155
	r/min	1800	1800	1800	2800	2000
Off load idle speed	r/min	900	900	900	900	900
Fuel consumption (approx) at 2200r/min	litre/hr	1.9	2.8	3.8	4.4	5.9
Oil sump capacity	litre	3.3	4.5	5.6	5.6	5.6
Net weight (dry)	kg	150	180	210	210	230
Max. installation angle (gearbox down)		20°	20°	20°	20°	20°
Propeller rotation		Clockwise viewed from the stern in forward gear				

Approximate Dimensions

The dimensions (mm) given are for guidance only and must not be used for installation purposes.



	Alpha			
	20	30	40 and 45	Turbo 55
A	732	869	969	922
B	377	477	577	577
C	180	217	217	217
D	62	72	72	72

D is the distance of the gearbox output centre line above below the underside of the engine bearers.

This information is intended for the assistance of users and is based upon results obtained from tests performed at the place of manufacture. This company does not guarantee that the same results will be obtained elsewhere under different conditions and in certain applications.

The information in this brochure does not form a part of any contract, guarantee or warranty.

We have made efforts to ensure that the information is accurate, but reserve the right to amend specifications and information without notice and without obligation or liability.

Lister Petter UK Limited, Dursley,
Gloucestershire GL11 4HS England

Tel: +44 (0)1453 544141

Fax: +44 (0)1453 546732

E-mail: sales@lister-petter.co.uk

http://www.lister-petter.co.uk



LISTER PETTER