

MM W18000 C

Co-axial, remote mount marine transmission.

Maximum rated input: 3780KW

Available for Continuous Duty applications.

➤ **Description**

- Robust design also withstands continuous duty in workboat applications.
- Fully works tested, reliable and simple to install.
- Design, manufacture and quality control standards comply with ISO 9001.
- Reverse reduction marine transmission with hydraulically actuated multi-disc clutches.
- Easy onboard maintenance.
- Compatible with all types of engines and propulsion systems. (Compatible for FPP)

➤ **Features**

- Case hardened and precisely ground gear teeth for long life and smooth running.
- Output shaft thrust bearing designed to take maximum propeller thrust astern and ahead.
- Smooth and reliable hydraulic shifting with control lever for attachment of push-pull cable or other operating system.
- Suitable for twin engine installations (same ratio and torque capacity in ahead or astern mode)
- Emergency “get home” capability.
- Robust cast iron casing.
- Free standing.
- Oil cooler complete with fittings and flexible hoses.
- Integrated brackets.

➤ **Options**

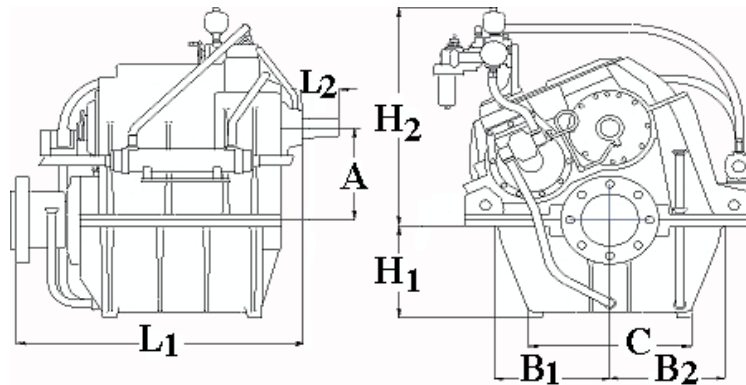
- Engine-matched torsional coupling.
- Propeller shaft flange and coupling bolt sets.
- Classification by all major Classification Societies on request.
- PTO (live or clutchable).
- Trolling valve for slow-speed drive.
- Shaft brake.
- Electric clutch control (24 VDC).

MM W18000 C

➤ Continuous Duty

Ratios	kW /rpm	Sample Power Capacities (kW)			Max. rpm
		1000 rpm	1200 rpm	1600rpm	
2,457	2,525	2525	3030	--	1500
2,916	2,127	2157	2552	3403	1600
3,461	1,792	1792	2150	2867	1600
3,975	1,560	1560	1872	2496	1600
4,418	1,404	1404	1685	2247	1600
4,922	1,260	1260	1512	2016	1600
5,298	1,170	1170	1404	1872	1600
5,711	1,086	1086	1303	1738	1600
6,761	0,929	0929	1115	1486	1600
7,288	0,862	0862	1035	1379	1600

Dimensions



mm							
A	B ₁	B ₂	C	H ₁	H ₂	L ₁	L ₂
0	540	540	768	480	1143	1297	176
Weight kg				Oil Capacity Litres			
3650				150			

➤ Output Coupling Dimensions

A	B	C	D	Bolt Holes	
				No.	Diameter (E)
mm	mm	mm	mm		mm
450	375	250	60.0	8	37.0

