



MM W20500

Vertical offset, remote mount marine transmission.

Maximum rated input: 3780 KW

Available for Continuous Duty applications.

➤ **Description**

- Robust design also withstands continuous duty in workboat applications.
- Fully works tested, reliable and simple to install.
- Design, manufacture and quality control standards comply with ISO 9001.
- Reverse reduction marine transmission with hydraulically actuated multi-disc clutches.
- Easy onboard maintenance.
- Compatible with all types of engines and propulsion systems. (Compatible for FPP applications)

➤ **Features**

- Case hardened and precisely ground gear teeth for long life and smooth running.
- Output shaft thrust bearing designed to take maximum propeller thrust astern and ahead.
- Smooth and reliable hydraulic shifting with control lever for attachment of push-pull cable or other operating system.
- Suitable for twin engine installations (same ratio and torque capacity in ahead or astern mode)
- Emergency “get home” capability.
- Robust cast iron casing.
- Free standing.
- Oil cooler complete with fittings and flexible hoses.
- Integrated brackets.

➤ **Options**

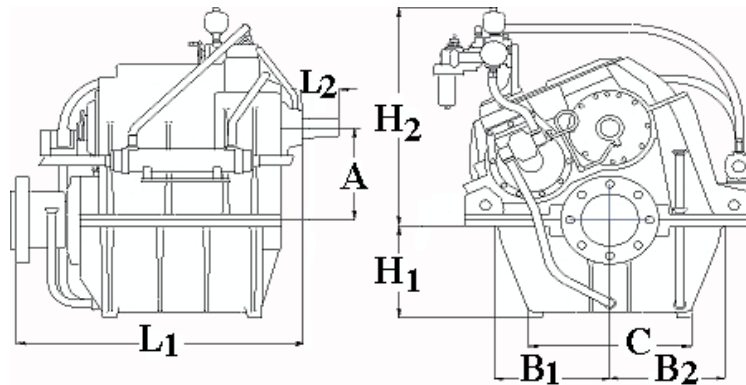
- Engine-matched torsional coupling.
- Propeller shaft flange and coupling bolt sets.
- Classification by all major Classification Societies on request.
- PTO (live or clutchable).
- Trolling valve for slow-speed drive.
- Shaft brake.
- Electric clutch control (24 VDC).

MM W20500

➤ Continuous Duty

Ratios	kW /rpm	Sample Power Capacities (kW)			Max. rpm
		1000 rpm	1200 rpm	1500rpm	
3,029	2,525	2525	3030	3788	1500
3,614	2,525	2525	3030	3788	1500
4,085	2,525	2525	3030	3788	1600
4,850	2,127	2127	2552	3191	1600
5,756	1,792	1792	2150	2688	1600
5,959	1,731	1731	2077	2597	1600
6,611	1,560	1560	1872	3040	1600
7,348	1,404	1404	1685	2106	1600
8,185	1,260	1260	1512	1890	1600

Dimensions



mm							
A	B ₁	B ₂	C	H ₁	H ₂	L ₁	L ₂
238	710	710	712	685	1491	1456	167
Weight kg				Oil Capacity Litres			
5800				200			

➤ Output Coupling Dimensions

A	B	C	D	Bolt Holes	
				No.	Diameter (E) mm
mm	mm	mm	mm	12	44.0
550	450	280	50.0		

