



MM W3900

Vertical offset, direct or remote mount marine transmission.

Maximum rated input: 850 KW

Available for Continuous Duty applications.

➤ **Description**

- Robust design also withstands continuous duty in workboat applications.
- Fully works tested, reliable and simple to install.
- Design, manufacture and quality control standards comply with ISO 9001.
- Reverse reduction marine transmission with hydraulically actuated multi-disc clutches.
- Easy onboard maintenance.
- Direct access to the clutches.
- Compatible with all types of engines and propulsion systems. (Both FPP and Cpp application).

➤ **Features**

- Case hardened and precisely ground gear teeth for long life and smooth running.
- Output shaft thrust bearing designed to take maximum propeller thrust astern and ahead.
- Smooth and reliable hydraulic shifting with control lever for attachment of push-pull cable or other operating system.
- Suitable for twin engine installations (same ratio and torque capacity in ahead or astern mode)
- Emergency “get home” capability.
- Robust cast iron casing.
- Free standing.
- Oil cooler complete with fittings and flexible hoses.
- Separated brackets.

➤ **Options**

- Engine-matched torsional coupling.
- Propeller shaft flange and coupling bolt sets.
- Classification by all major Classification Societies on request.
- SAE 0 or SAE1 bell housing
- PTO (live or clutchable).
- Standby oil pump.
- Electric clutch control (24 VDC).

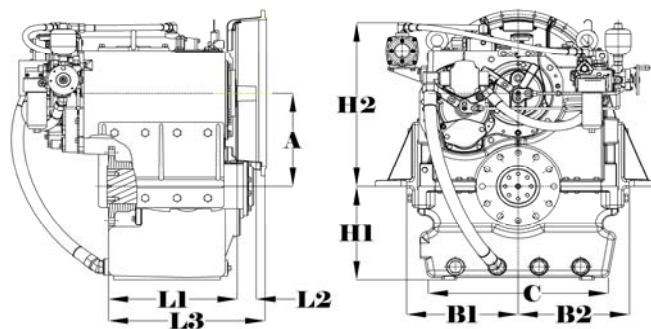
MM W3900

➤ Continuous Duty

Ratios	kW /rpm	Sample Power Capacities (kW)			Max. rpm
		1200 rpm	1600 rpm	1800 rpm	
6,435	0,408	490	653	735	2100
6,820	0,389	466	622	699	2100
6,955	0,348	417	556	626	2100

*Ratings homologated with BV certification.

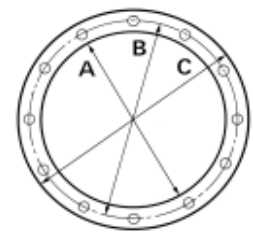
Dimensions



mm										
A	B ₁	B ₂	C	H ₁	H ₂	L ₁	L ₂	L ₃	Bell Hsg.	
400	454	454	800	400	705	524	77.0	637	0 or 1	
Weight kg						Oil Capacity Litres				
1605						75				

➤ SAE Bell Housing Dimensions

SAE No.	A mm	B mm	C mm	Bolt Holes	
				No.	Diameter mm
0	647.7	679.45	711.2	16	13.49
1	511.18	530.23	552.45	12	11.91



➤ Output Coupling Dimensions

A mm	B mm	C mm	D mm	Bolt Holes	
				No.	Diameter (E) mm
343	292	178	25.4	12	24.5

